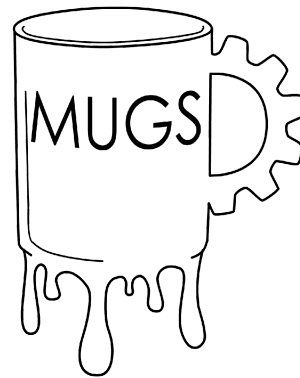


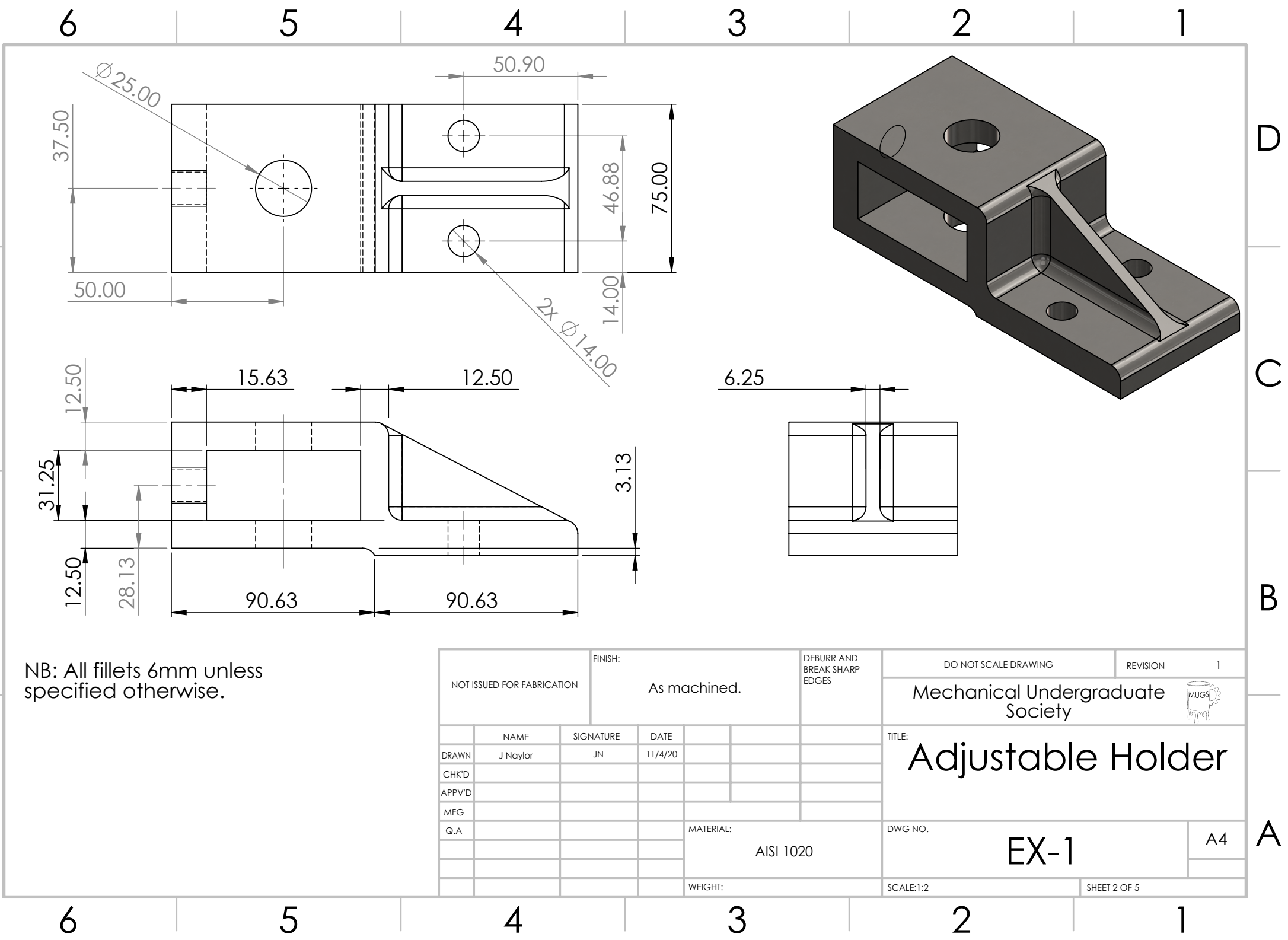
BUILDING YOUR CAD TOOLKIT



Introductory Solidworks Seminar Exercises 2020

Prepared and Presented by: Jack Naylor, University of Sydney
jack.naylor@sydney.edu.au

Exercises adapted from French and Svenson, 1962, *Mechanical Drawing 6th Ed*, McGraw-Hill, USA



NB: All fillets 6mm unless specified otherwise.

NOT ISSUED FOR FABRICATION			FINISH: As machined.		DEBURR AND BREAK SHARP EDGES		DO NOT SCALE DRAWING		REVISION 1		
							Mechanical Undergraduate Society				
							TITLE: Adjustable Holder				
DRAWN J Naylor			SIGNATURE JN		DATE 11/4/20						
CHK'D											
APPV'D											
MFG											
Q.A							MATERIAL: AISI 1020		DWG NO. EX-1		
							WEIGHT:		SCALE:1:2		
									SHEET 2 OF 5		



6 5 4 3 2 1

D

D

C

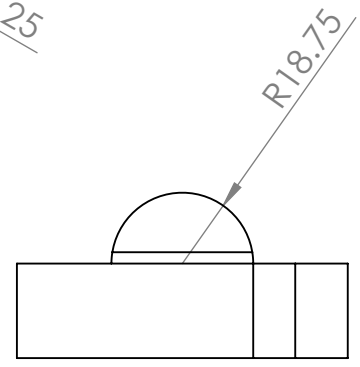
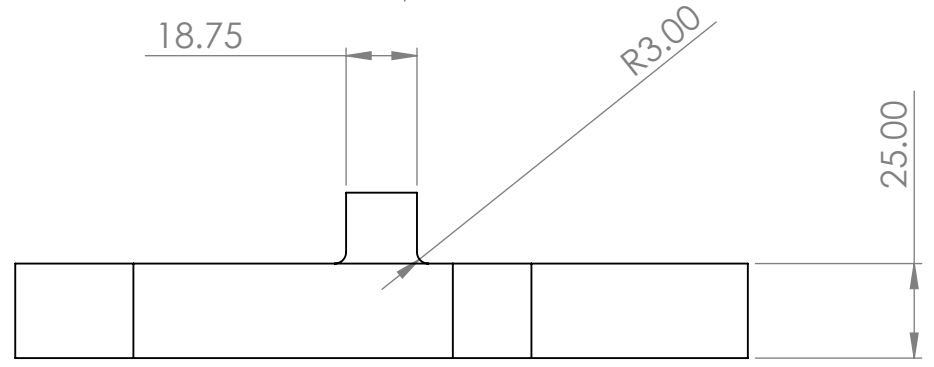
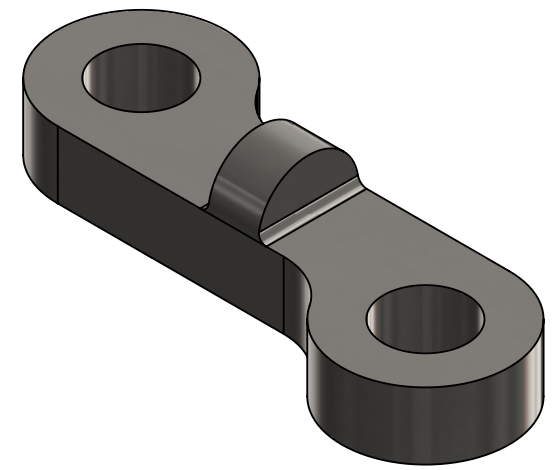
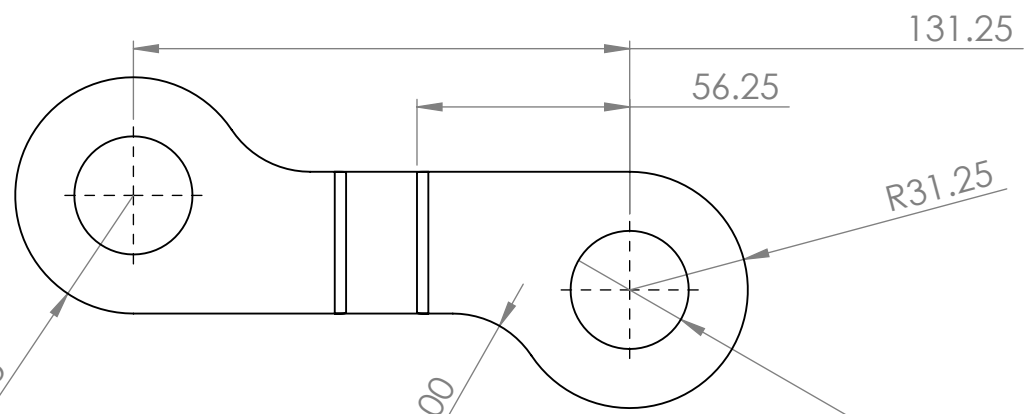
C


B

B

A

A

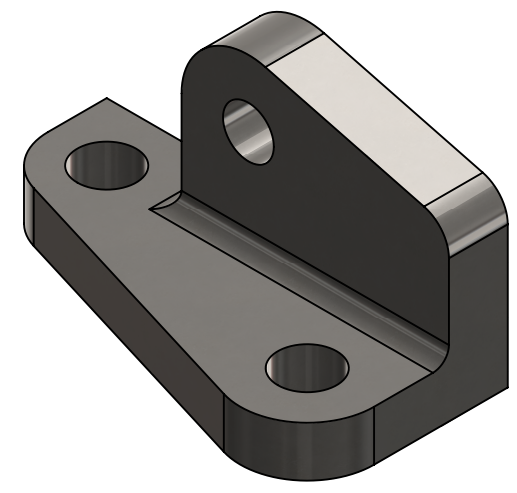
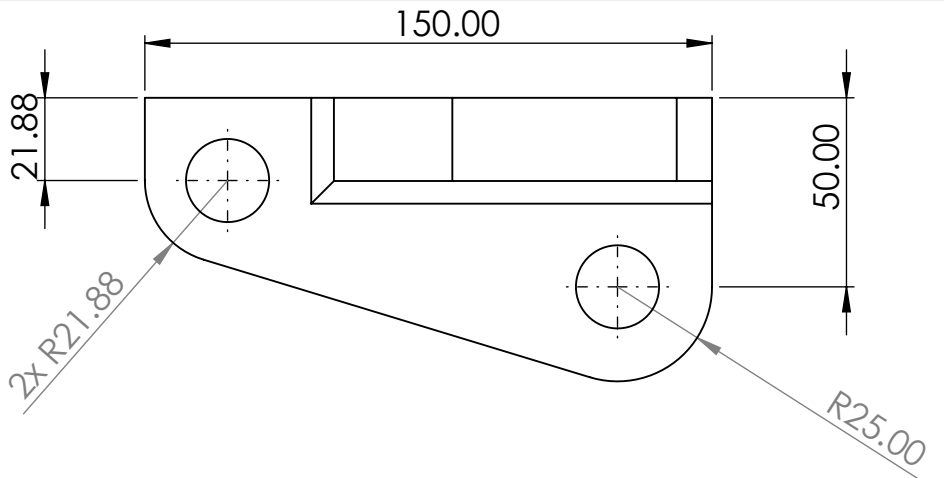


NOT ISSUED FOR FABRICATION			FINISH: As machined.		DEBURR AND BREAK SHARP EDGES	DO NOT SCALE DRAWING		REVISION 1	
						Mechanical Undergraduate Society			
									
						TITLE: Link			
						DWG NO. EX-2			
						AISI 1020		A4	
						WEIGHT:		SCALE:1:2	
								SHEET 3 OF 5	

6 5 4 3 2 1

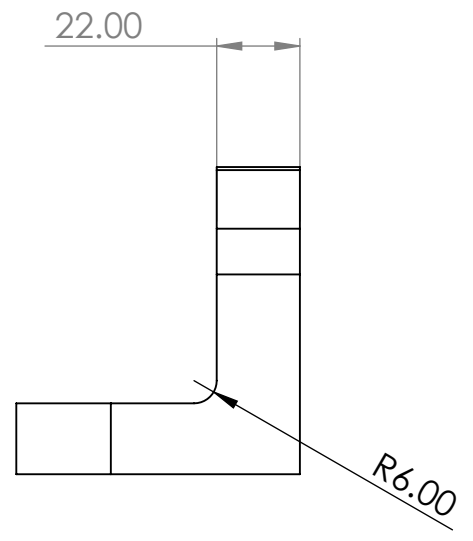
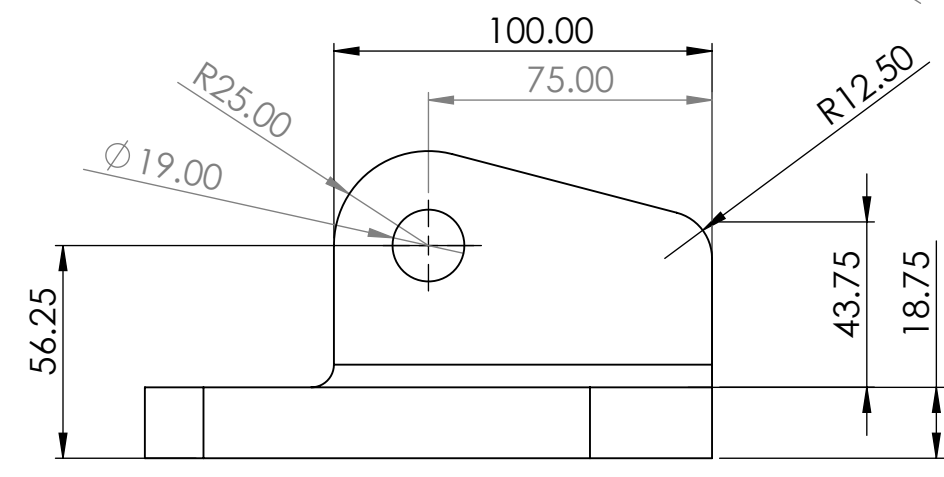
6 5 4 3 2 1

D



D


C



C

B

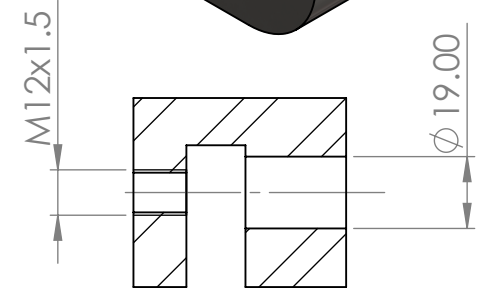
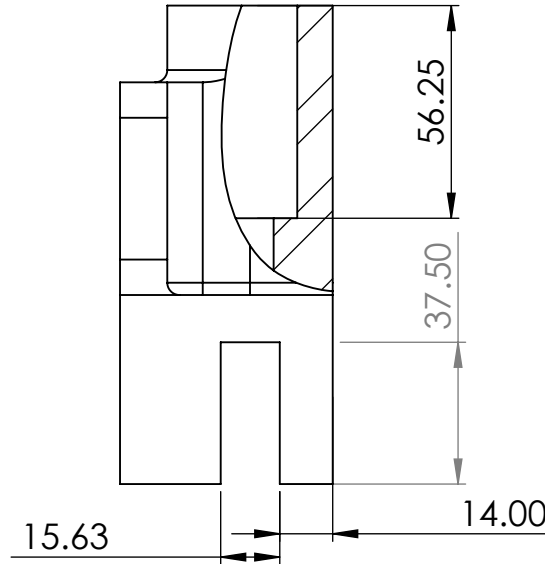
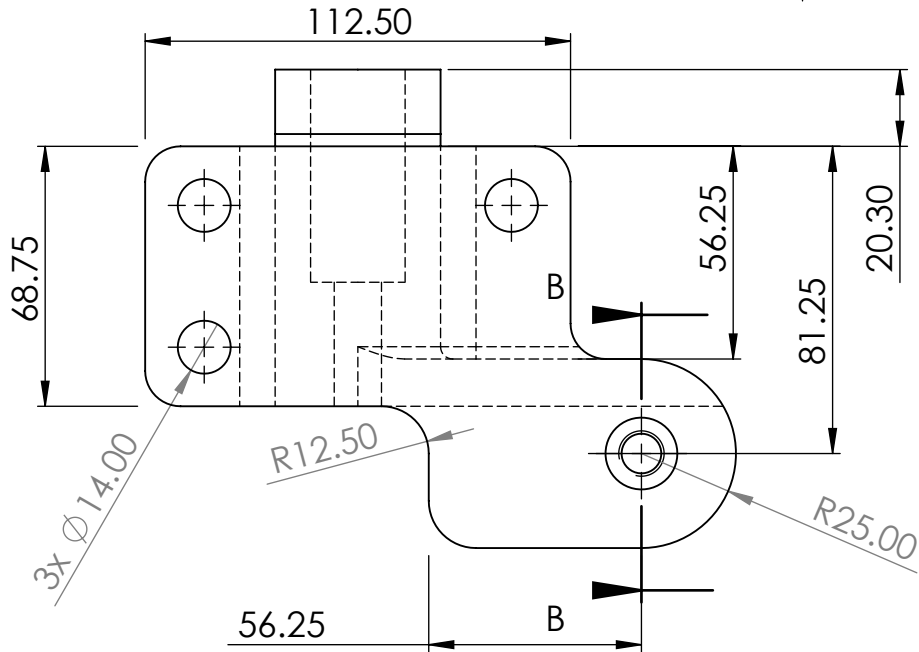
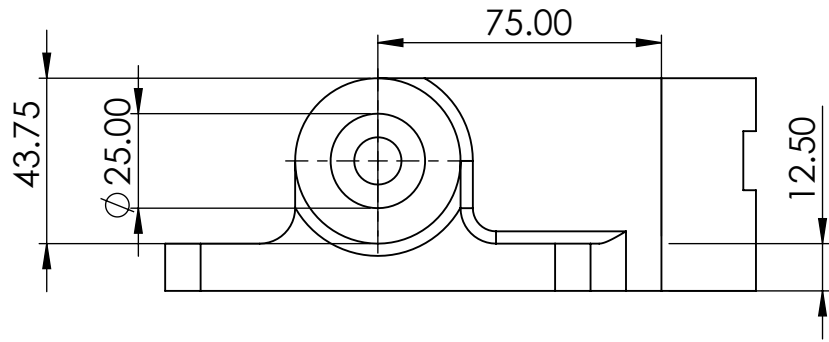
B

NOT ISSUED FOR FABRICATION			FINISH: As machined.			DEBURR AND BREAK SHARP EDGES		DO NOT SCALE DRAWING		REVISION 1	
								Mechanical Undergraduate Society			
								TITLE: Base Anchor			
						MATERIAL: AISI 1020		DWG NO. EX-3		A4	
						WEIGHT:		SCALE:1:2		SHEET 4 OF 5	

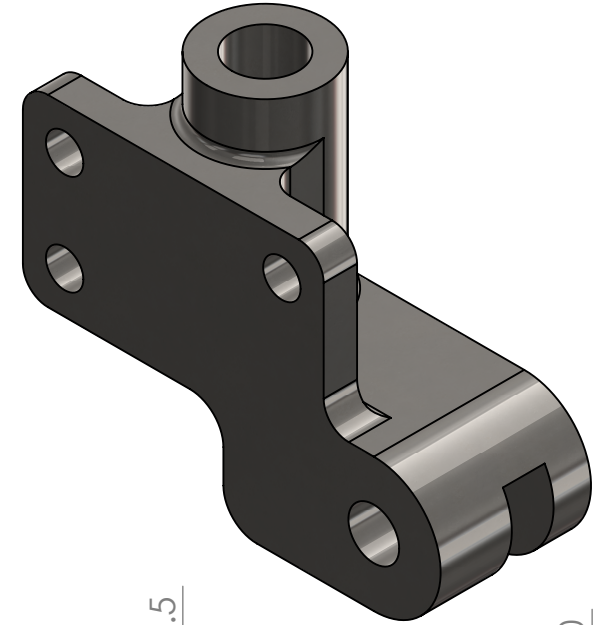
6 5 4 3 2 1

A


A



SECTION B-B



Note: All fillets 9.4mm unless specified.

NOT ISSUED FOR FABRICATION		FINISH: As machined.		DEBURR AND BREAK SHARP EDGES		DO NOT SCALE DRAWING		REVISION 1	
						Mechanical Undergraduate Society			
									
						TITLE: Slide-arm Bracket			
DRAWN J Naylor		SIGNATURE JN		DATE 11/4/20		MATERIAL: AISI 1020		DWG NO. EX-4	
CHK'D						WEIGHT:		SCALE:1:2	
APPV'D								SHEET 5 OF 5	
MFG								A4	
Q.A									